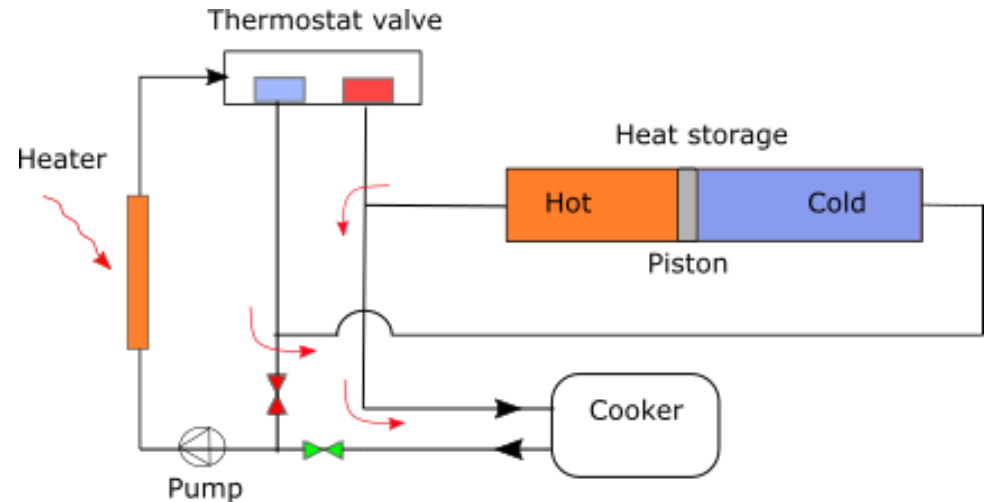


Heat storage types: sensible heat with forced separation of hot and cold oil

- Natural thermal stratification in vertical systems:
 - Front decays by conduction and can be disturbed by convection
 - Barrier difficult to implement as it must be buoyant between the hot and cold temperatures.



- Move to horizontal system
 - An insulated piston can separate hot and cold
 - A thermostat valve has two outlets
 - A two way manual valve opens for the cooker - direct from heater and/or from the storage