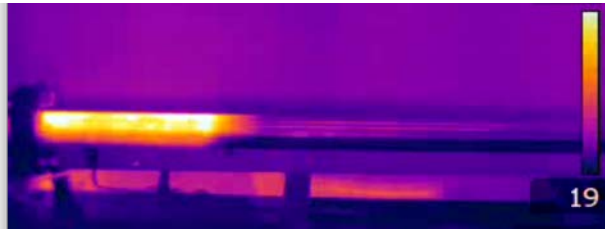
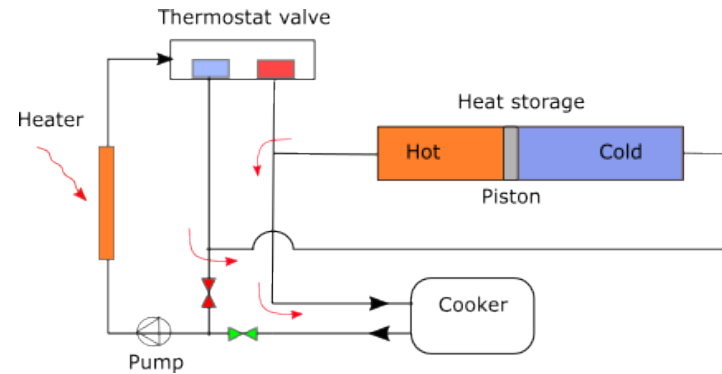


Heat storage with piston separating hot and cold oil

- A pump circulates oil from a heater through a thermostat valve.
- A manual three-way valve determines charging or cooking

Charging: Recirculation OR charging depending on the thermostat valve

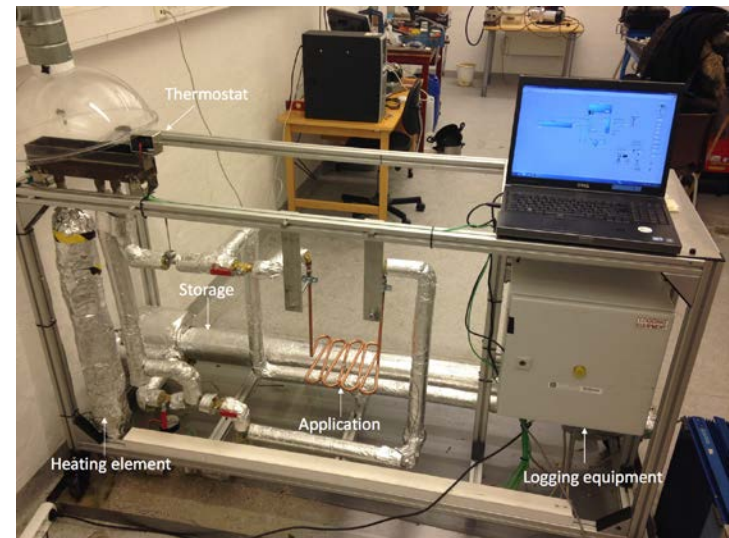
Cooking: Hot from the from the heater AND/OR from the storage depending on the thermostat valve



Thermal image of storage pipe



Piston in temperature resistant material. Metal ring for magnetic tracing of position.



Laboratory setup

(Silje Fosseng Duley, Ragnhild Skahjem)